



PrintPac

Custom print and bespoke
disposables products
for food & drink

► Celebration
www.celebration.co.uk



Celebration Packaging Limited have been providing high quality catering disposables for the hotel and catering markets since 1983.

We also produce disposables and tableware for the travel, leisure and care sectors, whether it be products for everyday use or for special events.

In the early days of trading, our factory in Burton-upon-Trent, Staffordshire, specialised in the production of personalised tissue coasters and similar products. Over the decades we have diversified to offer the extensive range we are able to offer today.

Celebration are committed to providing high quality products and an efficient and expert service.

Our greatest asset is our friendly and highly experienced staff. Our team are there to ensure you get the right product in the right material at the best possible price. Superior customer service, coupled with our vast range and competitive pricing, sets us apart from our competition.

Members of the Food Packaging Association, we are BRCGS, ISO 9001 & ISO 14001 certified, so you can rest assured we have the best possible products and processes.

We hold FSC® (Forest Stewardship Council® C113967) certification, showing our commitment to using paper materials from a responsible source. Most of our paper products are FSC® accredited, please contact us for details.



Contents

Ink & Foil Printed Drinks Coasters	3	Butter Dish Covers	15
“Eden” Range Hotel Accessories	4	Teapot Markers	16
Plain Drinks Coasters	4	Teapot & Coffee Pot Holders	17
Beer Mats / Drip Coasters	5	Hot Plate Holders	18
Ink Printed Napkins	6	Waste Paper Bin Liners	19
Foil Printed Napkins	7	Table Covers	20
Cutlery Sleeves	8	Customised Tissue Pads	21
Napkin Bands	9	Clear Cold Drink Cups	22
Glass Covers & Hygiene Caps	10	Paper Hot Drink Cups	23
Disposable Paper Bibs	11	Food Containers & Lids	24
Plain Napkins, Glass Covers & Bibs	12-13	Food and Drink Carrier Boxes & Carrier Bags	25
Tray Liners & Place Mats	14	Customised Printed Cutlery & Food Pick Flags	26

Ink & Foil Printed Drinks Coasters

Disposable coasters have a functional use in helping to catch drips from glasses and cups, maintaining a clean place setting and protecting surfaces. They are also a great way of promoting your brand to customers.

Coasters are widely used by hotels, restaurants and bars. Also perfect for drinks brand launches, corporate hospitality & events.

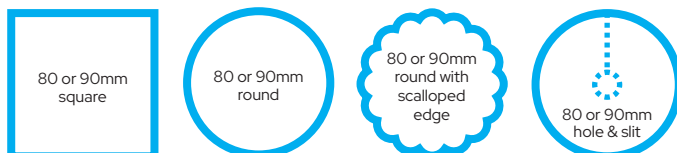


Materials

Our most popular choice is multiply tissue with an optional wax paper backing. We offer many other types of paper coasters including deluxe multiply bonded tissue coasters. The tissue materials are available in various shades and we can solid ink print on certain materials to provide a Pantone® match to your brand's colours.

Shapes & Sizes

Celebration's most popular sized coasters are 90mm round or square with a plain or fancy scalloped edge. We have tooling to produce many other sizes and can even provide special shapes and sizes according to your exact requirements. We also offer "hole & slit" drip catcher style coasters, designed to sit on the base of a stem glass.



Plain white coasters available from stock – see page 4

For further information, pricing or samples please contact
01283 538259 | sales@celebration.co.uk | www.celebration.co.uk

Types of printing available

Ink printing

We can print in 1-4 spot colours in Pantone® matched ink. We have a selection of materials suitable for producing designs with full ink coverage.



Debossing

Letterpress printing can be used to indent your logo into the paper. This produces a subtle, sophisticated print.



Foil printing

A luxurious, extra special feel is achieved with foil printing. Foil colours include shiny gold, silver and copper along with many more standard colours (please enquire for details).



**Plain & Stock Design
Coasters, Dispensers
& Hotel Accessories**

All items in this brochure are available plain white / unprinted - a production lead time may apply.



We also hold stock of the following items, either plain or with a generic design:

“Eden” Range Hotel Accessories

Plain white tissue disposables, blind debossed with an elegant & subtle vine leaf design.

Product Code	Description	Case Qty
STO41	90mm Diameter Eden Design Waxbacked Coasters	5000
STO44	100x120mm Eden Design Teapot Holders	2500
STO45	150x150mm Eden Design Hot Plate Holders	1000



STO41

Drinks Coasters

Plain, practical coasters for use in hotel bedrooms and bathrooms, bars and restaurants. Held in stock for fast despatch.

Product Code	Description	Case Qty
STO48	80mm Diameter Plain White Waxbacked Coasters	5000
STO49	80mm Diameter Plain White Unbacked Coasters	5000
STO50	90mm Diameter Plain White Waxbacked Coasters	5000
STO51	90mm Diameter Plain Black Waxbacked Coasters	5000
STO60	90mm Diameter Plain White Unbacked Coasters (dispenser boxes of 250)	2000
DISP90-2PS	Silver 90mm 2 Prong Dispenser	10



STO48 / STO49



STO50



STO51



DISP90-2PS



STO60

For further information, pricing or samples please contact
01283 538259 | sales@celebration.co.uk | www.celebration.co.uk

Beer Mats / Drip Coasters

Typically used in pubs and bars, beer mats not only provide a sturdy absorbent base for a drink, they also present an ideal advertising & marketing tool to ensure maximum brand exposure of the venue or a particular drink brand. Versatile pulp board mats are not just for beer - we've printed many designs for whisky distilleries, vodka brands and cocktail bars.



Materials

Custom print beer mats are made from 1.2mm, 500gsm thick absorbent pulp board, robust enough to be reused many times.

Print

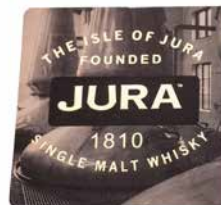
Beer mats are printed using full colour process (CMYK) in uncoated ink. We are able to print on both sides of the beer mat with different designs on top and bottom if desired.

A full colour process print allows us to produce complex photo quality designs, with an added option of using a metallic foil to create a luxurious, high quality finish.

Different Shapes and Sizes

Our standard size is 94mm round or square (with rounded corners).

Other special shapes and sizes are available (subject to a minimum order quantity), please contact us for details.



94mm square with rounded corners

94mm round

Ink Printed Napkins

Celebration stays ahead of catering trends with paper napkins that will help make your place settings extra special.

Personalised napkins are available in a range of sizes, materials & print options.



Materials

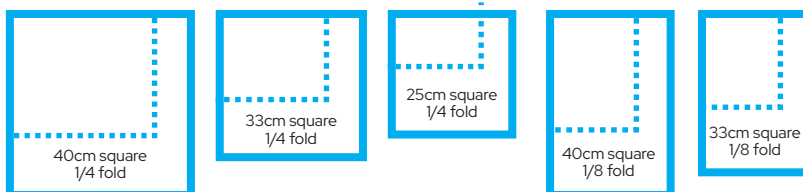
Catering for all budgets and customer requirements our material options for napkins include 2-ply and 3-ply tissue and luxurious, linen-like 1-ply airlaid paper. These materials are available in white or black as standard, other colours are available.

Print

Our napkins are ink printed using Pantone® matched colours. We often print logos in one position, on the folded napkin surface. We're also able to print full ink coverage across the entire surface of the napkin. Please note that only metallic silver or gold inks will be visible on our dark or brightly coloured napkins.

Sizes & folds

We offer 3 standard napkin sizes - 25cm cocktail, 33cm lunch & 40cm dinner, all of which are available 1/4 square fold. In addition, 33cm and 40cm square napkins are available 1/8 fold into a rectangle.



Example of napkins with full ink coverage

Plain napkins available from stock – see page 12

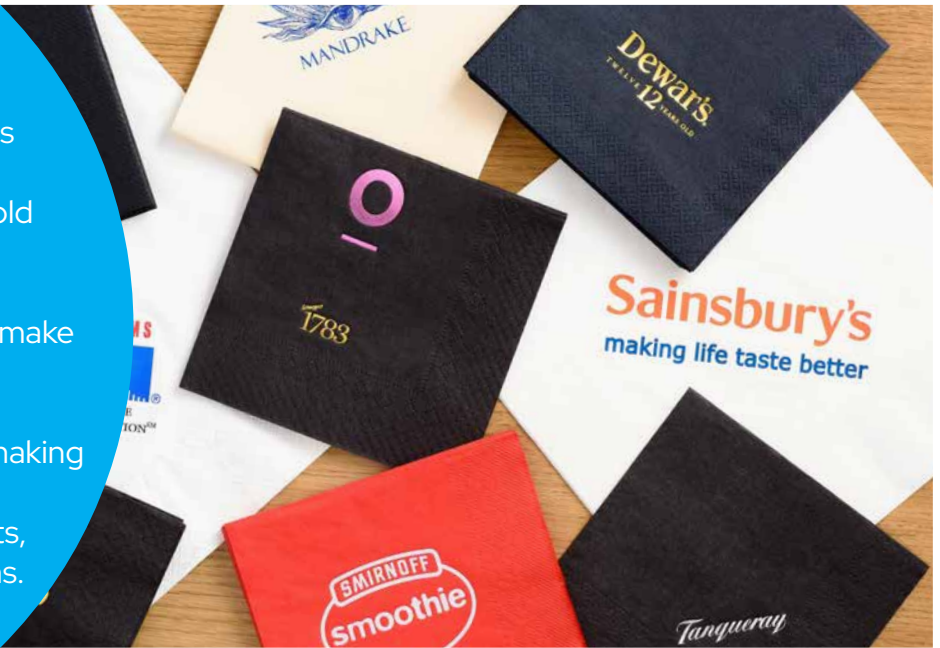
For further information, pricing or samples please contact
 01283 538259 | sales@celebration.co.uk | www.celebration.co.uk

Foil Printed Napkins

Hot foil printing on napkins gives stunning results. Choose from our range of shiny metallic or bold opaque hot foil colours.

Foil prints are eye catching and make your logo pop.

Small print runs are available - making these personalised napkins the perfect choice for special events, weddings and other celebrations.



Materials

Foil printing is offered on 3-ply tissue and luxurious, linen-like 1-ply airlaid napkins. White or black napkins available as standard. Other colours are available - please contact us for details on the current range.

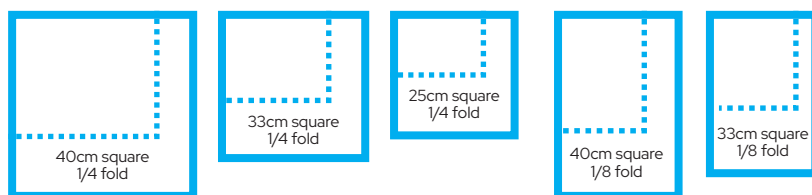
Print

We can't Pantone® match foil, but a wide range of metallic and opaque foil colours are available. Popular colours include, gold, silver, copper, red, blue and purple.



Sizes & folds

We offer 3 standard napkin sizes - 25cm cocktail, 33cm lunch & 40cm dinner, all of which are available 1/4 square fold. In addition, 33cm and 40cm square napkins are available 1/8 fold into a rectangle.



Contact us for details on our current range of coloured napkins

Cutlery Sleeves

Paper cutlery sleeves are preloaded with 2-ply tissue napkins, and have an opening for tucking cutlery inside.

They save the time consuming practise of wrapping cutlery inside a paper napkin. Cutlery sleeves create a neat and organised place setting. The surface of the cutlery sleeves can be custom printed with your branding, promotions or menu.



Materials

Paper cutlery sleeves are made from 120gsm white paper. Supplied with white napkins as standard. Other napkin colours available include champagne, black, red, burgundy, orange and lime green.

Print

Paper cutlery sleeves are digitally printed in full colour process (CMYK) uncoated ink. We can print a logo onto the white paper or print the entire outer surface of the sleeve with solid ink coverage.

Sizes

Standard large cutlery pouches are 235 x 80mm with a 38 x 33cm, 2-ply tissue napkin - easily accommodating a knife and fork (pictured).

We also offer a wider 200 x 85mm cutlery pouch which contains a 33cm, 2-ply tissue napkin.



Napkin Bands

Printed paper napkin bands are a simple way of enhancing table presentation; promoting your brand through a high quality custom print whilst keeping the napkin neatly rolled.



Materials & Sizes

- 173 x 60mm in 250gsm white glossy card.
- 170 x 30mm in 170gsm white paper.

Print

Available with a 1-4 spot colour print.



For further information, pricing or samples please contact
 01283 538259 | sales@celebration.co.uk | www.celebration.co.uk

Glass Covers & Hygiene Caps

Glass covers ensure that preserved drinks or bowls of food remain fresh and hygienic. Glass covers are often used to cover full glasses on serving trays or for keeping empty glasses fresh ready for self service.

In the past we've branded glass covers for organisations including private healthcare providers and golf clubs, and also for drinks brands as part of launch campaigns.



Materials

Available in 250gsm matt or glossy white card. Also available in unbleached brown card.

Print

Paper glass covers can be custom printed with ink designs of up to 4 spot colours. We can print solid ink coverage across the full surface and edge of the covers (matt white card only).

Gold and silver hot foil printing is available to provide a luxurious effect.



Sizes

Available in a wide range of sizes as follows:
 45mm, 47mm, 55mm, 57mm, 60mm, 62mm,
 63mm, 64mm, 65mm, 67mm, 68mm, 69mm,
 72mm, 74mm, 75mm, 80mm, 82mm 86mm,
 90mm, 98mm, 105mm Ø



Plain white glass covers available from stock – see page 13

For further information, pricing or samples please contact
 01283 538259 | sales@celebration.co.uk | www.celebration.co.uk

Disposable Paper Bibs

Custom print bibs offer practicality whilst also presenting a novel way of advertising & marketing for any occasion. Single use disposable bibs are manufactured from a very soft absorbent paper laminated to a plastic backing which prevents liquid seeping through.



Disposable baby bibs are popular in cafes and restaurants, helping to reinforce a family friendly environment.

Adult bibs are becoming increasingly popular with restaurants offering food that can prove messy to eat - such as BBQ ribs, lobster and saucy Italian dishes like spaghetti bolognese.

Materials

Available in soft absorbent white paper laminated to white polythene.

Print

Adult and baby sized bibs can be custom printed with a 1-5 spot colour design using Pantone® matched inks.

Sizes

Adult bibs measure 580 x 380mm.

Baby bibs measure 320 x 195mm.

Plain white bibs available from stock – see page 13



**Plain & Stock Napkins,
Glass Covers & Bibs**

All items in this brochure are available plain white / unprinted - a production lead time may apply.


Napkins

Our plain white or black stock napkins are available in three qualities. Options include luxurious 1-ply airlaid, highly popular 3-ply tissue and economical 2-ply tissue.

Our most popular napkin configurations are held in stock. Other napkin colours, sizes and styles are available subject to availability and lead time—please contact us with your requirements.



Product Code	Description	Case Qty
STO70	25cm White Airlaid Napkins	1000
STO79	25cm Black Airlaid Napkins	1000
STO71	25cm White 2ply Tissue Napkins	3000
STO72	25cm White 3ply Tissue Napkins	2000
STO74	25cm Black 3ply Tissue Napkins	2000
STO75	33cm White Airlaid Napkins	500
STO76	33cm White 3ply Tissue Napkins	2000
STO77	40cm White Airlaid Napkins	500
STO78	40cm White 3ply Tissue Napkins	1000

Glass Covers

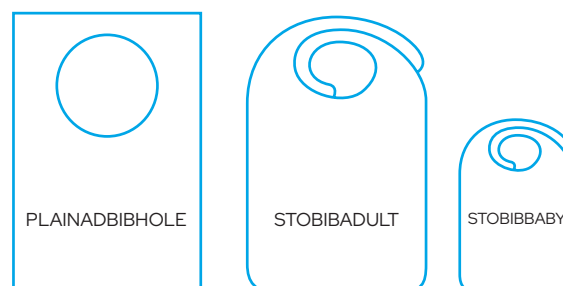
Round card glass covers ensure that preserved drinks or bowls of food remain fresh and hygienic. Glass covers are often used to protect full glasses on serving trays or for keeping empty glasses fresh ready for self-service.

Product Code	Description	Case Qty
GC45	45mm Plain White Glass Cover	2000
GC60	60mm Plain White Glass Cover	1000
GC62	62mm Plain White Glass Cover	1000
GC64	64mm Plain White Glass Cover	1000
GC65	65mm Plain White Glass Cover	1000
GC67	67mm Plain White Glass Cover	1000
GC69	69mm Plain White Glass Cover	1000
GC72	72mm Plain White Glass Cover	1000
GC74	74mm Plain White Glass Cover	1000
GC75	75mm Plain White Glass Cover	1000
GC76	76mm Plain White Glass Cover	1000
GC80	80mm Plain White Glass Cover	1000
GC86	86mm Plain White Glass Cover	1000
GC90	90mm Plain White Glass Cover	1000
GC98	98mm Plain White Glass Cover	1000

Disposable Bibs

Protect customers clothes with our plain white bibs in adult and baby sizes. Economical adult bibs (with a neck hole) are made from 45gsm white non-woven paper. Also available from stock, adult and baby sized bibs made from soft white absorbent paper with a PE backing to prevent grease and liquid from soaking through.

Product Code	Description	Case Qty
PLAINADBIBHOLE	600x420mm Plain White Adult Bibs Neck Hole	200
STOBIBADULT	580x380mm Plain White Adult Bibs	250
STOBIBBABY	320x200mm Plain White Baby Bibs	500



Tray Liners & Place Mats

Whether plain white or custom printed, our disposable tray liners and place mats, will help to protect trays & table tops.

These single use paper mats promote hygiene and can be used instead of table cloths, reducing laundry costs.



Materials

We offer a range of different papers to ensure we can offer you the best suited specification to meet your requirements.

Absorbent paper and Linen embossed paper are the most popular choices for restaurant place mats and hotel tray liners.

Non slip paper placemats are suitable for the travel industry for use on trains, planes and boats as the anti slip coating helps to keep items on the table stable.

Print

We can ink print 1-5 spot colours onto this range, using Pantone® matched inks. 85gsm linen embossed paper are suitable for full colour process (CMYK) prints.

Shapes and sizes

Serving trays come in many different shapes and sizes, therefore we hold tooling to produce popular sizes of paper tray liners in rectangular (with straight or rounded corners), square, circular and oval shapes.



Butter Dish Covers

Butter dish covers provide an elegant finishing touch and help to promote hygiene by protecting the butter.

We offer various sizes of round butter dish covers to fit most standard butter dishes, pots and ramekins.



Materials

40gsm white greaseproof paper.

Print

Butter dish covers can be custom printed with ink designs of up to 3 spot colours, with a maximum print area of 40%.

Sizes

Available in a wide range of sizes as follows:
 50mm, 53mm, 60mm, 62mm, 63mm,
 65mm, 69mm, 70mm, 75mm, 85mm,
 87mm, 90mm, 91 mm, 95mm Ø

Available with a straight plain edge or with an additional small tab allowing easy and clean removal from the butter dish.



Teapot Markers

For establishments offering a range of loose leaf teas on their menu, teapot markers can be customised with the different kinds of tea offered.

The "hole and slit" design enables the marker to be placed on the teapot lid.



Material

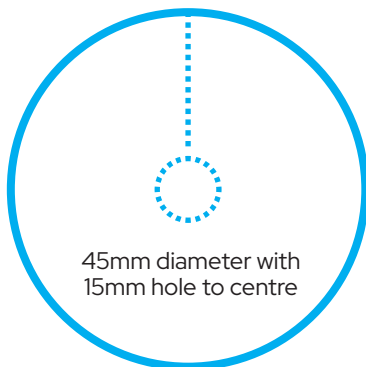
Multiply white tissue unbacked.

Print

Teapot markers can be printed with ink designs of up to 2 spot colours. Designs with solid ink coverage are possible.

Sizes

45mm diameter with a 15mm hole to the centre. Other shapes and sizes available on request, subject to a tooling charge.



Teapot & Coffee Pot Holders

Stainless steel teapots are a very popular choice in the hospitality industry. They look sophisticated when serving drinks at the table, and they are hard wearing and lightweight. The downside is, that the metal handle becomes hot to touch.

Protect fingers from hot handles using our thick multiply tissue teapot & coffee pot holders.



Material

Multiply white tissue unbacked.

Print

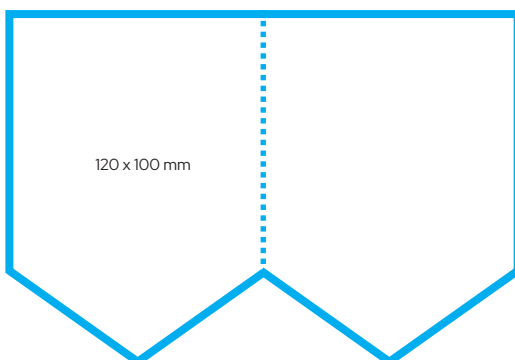
Can be branded with a debossed design (see Eden stock design, right, for example) or ink printed with a logo of up to 2 colours.

Sizes

120 x 100mm teapot holder.



STO44 – Eden Design Teapot Holders (see page 4)



Hot Plate Holders

Protect fingers from hot plates whilst also promoting good hygiene and sophisticated service.

Ideal for use in carvery restaurants.

Clear acrylic dispensers are available to purchase for the large hot plate holders.



Material

Multiply white tissue unbacked.

Print

Can be branded with a debossed design (see Eden stock design, right, for example) or ink printed with a 1 colour design.

Sizes

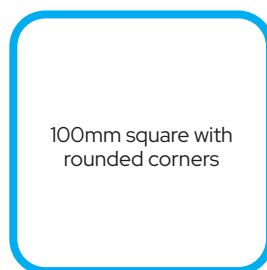
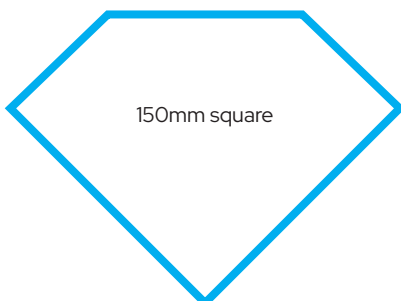
Large hot plate holders – 150mm square with corner missing. Small hot plate holders – 100mm square with rounded corners.



STO45 – Eden Design Hot Plate Holders (see page 4)



STO47 – Eden Small Plate Holders (see page 4)



Waste Paper Bin Liners

Some high-end hotels are choosing against using plastic bin liners in their guestrooms. Aside from plastic liners being bad for the environment, they can also look messy and can detract from the upscale look of the room.

Our solution is the paper bin liner. These paper discs sit in the base of the bin, to protect the bin and absorb moisture.



Material

Various types of paper are available. Multiply tissue (unbacked) is a popular choice.

Print

Available plain or customised with a debossed design or ink printed with a logo of 1 or 2 colours.

Sizes

Different shapes and sizes are available to suit your requirements. We hold tooling for many common sizes, other special shapes and sizes may incur a tooling charge.



Table Covers

Catering for a charity lunch, product launch or a brand's special anniversary? Then our range of printed table covers and runners ensure maximum brand exposure to diners.



Materials

Available in white or coloured 1-ply airlaid paper, a strong and absorbent material.

Print

Flexo printed in 1 to 6 spot colours.

Sizes

Table covers are available in sizes including 80cm, 1m or 1.2m square, supplied 1/4 folded.

Table runners are available. These are 40cm wide, supplied in 24m long rolls with easy tear perforations every 1.2m.



Customised Tissue Pads

Previous clients have included biscuit manufacturers, confectioners and luxury soap brands, requiring tissue mats to line tin boxes.

Tissue pads give the product inside an extra layer of protection, and help maintain quality and freshness.



Print

We can print in 1-4 spot colours in Pantone® matched inks.

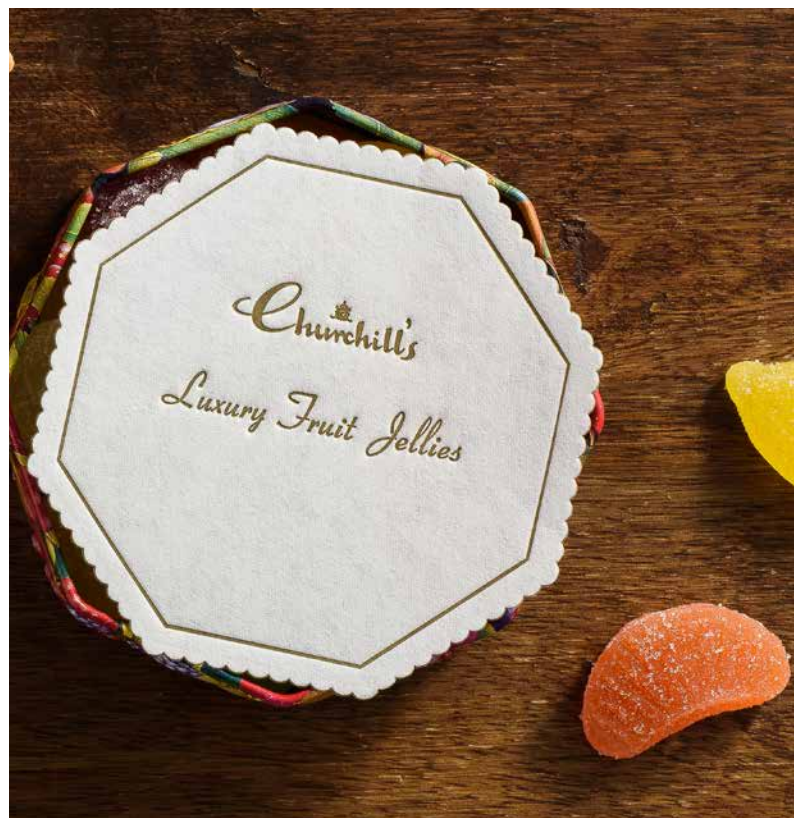
Materials

Multiply white tissue.

Shapes and sizes

We hold tooling for a selection of shapes and sizes.

However, often our customers require a specific size to suit their packaging. In this case a new cutting tool charge may apply.



Clear Cold Drink Cups & Paper Drinking Straws

Over the years we have printed cups for many high-profile drinks brands and tourist attractions.

A wide variety of cup sizes and lid types are available, ensuring there's something well suited for all types of cold drink.

Even our paper drinking straws can be printed.



Clear Cold Drink Cups

Choose from clear rPET recycled plastic or Enviroware® clear PLA. Derived from plant starch, PLA (polylactic acid) is a natural, sustainable and commercially compostable material.

Logos of 1-5 spot colours can be printed using Pantone® matched inks.

A wide selection of sizes are available. We also offer a variety of lid types, including flat lids, straw slot lids and bubble domed lids.



Printed Drinking Straws

Paper straws are available in a range of lengths and diameters - from short and narrow sip straws up to wide diameter jumbo straws.

We stock popular sizes in white, black and red/white striped paper. Straws can be custom printed with brand logos or colours.

Specialist straws, such as bendy straws, spoon straws or bubble tea straws are available to order, subject to production lead time.



For further information, pricing or samples please contact
 01283 538259 | sales@celebration.co.uk | www.celebration.co.uk

Paper Hot Drink Cups

Many types of disposable paper hot drink cups are available from Celebration. From basic single wall paper cups to upmarket insulated cups or even compostable cups – we have something to suit every requirement.

All our paper cups can be customised with a high quality custom print.



Materials

Cups are available with a traditional plastic film lining, and cups within the Enviroware® range have a PLA (polylactic acid - derived from plant starch) film lining allowing the cups to be composted after use. Various types of lids are available. Choose from white PS plastic sipper domed lids or Enviroware® compostable sipper domed lids in either PLA plant starch or bagasse sugarcane materials.

Print

Paper cups can be customised with a high quality 1-5 colour print.

Sizes

Standard sizes are 4oz, 8oz, 12oz and 16oz. Other sizes are available on request.



Food Containers & Lids

Celebration stock a wide variety of food containers, many of which can be branded with a 1 or 2 spot colour logo. Short print runs are available – contact us for details.

Printed food containers are perfect for street food stalls and event catering.

Also available, custom plastic lids and covers with embossed printing.



Materials

Most of our paper food containers, clear sundae dishes and portion pots can be custom printed.

Print & Sizes

Simple logos of 1-2 spot colours can be printed using Pantone® matched inks. Please contact us for lead times and product specifications and sizes.



For further information, pricing or samples please contact
 01283 538259 | sales@celebration.co.uk | www.celebration.co.uk

Food and Drink Carrier Boxes & Carrier Bags

As specialists in takeaway food and drink packaging, we can now offer solutions to help carry the food or drinks-to-go safely.

All carrier bags and boxes, whether plain or custom printed, are bespoke made. We do not currently hold stock of plain options.



Carrier Boxes

Useful for carrying multiple takeaway drinks or food boxes. Ideal for events or roomservice.

Materials

White or kraft card.

Print

Full colour process or spot colour printing available.

Sizes

Various sizes and formats available.



Carrier Bags

Reusable plastic bags and recyclable paper bags for takeaway foods, events or retail.

Materials

Plastic or paper.

Print

Full colour process or spot colour printing available.

Sizes

Various sizes and formats available.



Custom Printed Cutlery & Food Pick Flags

If you've built a strong brand, why not flaunt it with printed disposables.

Whether you want to create synergy in a restaurant or make every takeaway a walking advert - we can help create the right fit for your brand.



Printed Cutlery

Handles of wooden knives, forks and spoons, can be stamped with a logo or initial.

When opting for individually wrapped cutlery - the wrapper itself can be printed.

Also available wooden chopsticks in printed wrappers.



Printed Food Pick Flags

Pick flags are often used to help to keep burgers neatly stacked.

They are also useful for indicating a food choice to diners - e.g. spicy, medium or mild.



Celebration Packaging Ltd

CELEBRATING *40* years OF TRADING

We're celebrating 40 successful years serving the foodservice industry

Established in 1983

The company began as Celebration Coasters, specialising in the supply of printed coasters, napkins and other bar-top products for the pub, bar, restaurant, and airline industries, both in the UK and in many international markets.

Just three years after the company was created, Celebration Coasters joined the British Disposable Products Association (BDPA), which later became the Foodservice Packaging Association (FPA) – making what is now Celebration Packaging one of its oldest members.

Evolving Product range

Nick Burton, Celebrations Managing Director, recalls: "I realised quite early on, that even though we were no.1 in the coaster market, it was limited. So, by the late 80's we began to introduce other foodservice disposables, including high quality plastic products."

The company was rebranded Celebration Paper & Plastics Ltd.

Eco-Friendly Packaging

In 2007, the EnviroWare® brand was launched, offering a range of food and drink packaging made from natural, sustainable, and renewable resources such as PLA plant starch and bagasse sugarcane fibres.

The huge success of this range became the catalyst for our major rebrand in 2018, changing the company name to Celebration Packaging Limited.



Our other brands



Try before you buy - contact us for free samples of any products that may be of interest.
All measurements and capacities stated in this brochure are approximate.



PrintPac

CUSTOM PRINTED PRODUCTS FOR THE CATERING & HOSPITALITY MARKETS



Celebration Packaging Ltd

CELEBRATING *40* years OF TRADING

For further information, pricing or samples please contact

Celebration Packaging Limited | Stanley Street | Burton upon Trent | Staffordshire | DE14 1DY

01283 538259 | sales@celebration.co.uk | www.celebration.co.uk